

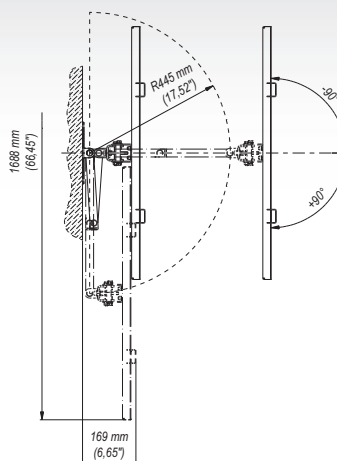
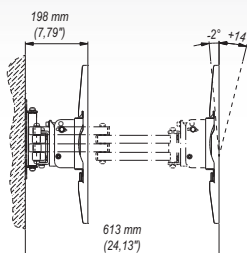
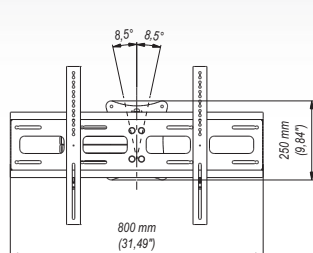


PWS1 ■ Swing Arm Wall Mount Set 42"-52"



Features

- 1 **ADJUSTABLE POSITION**
3 axes of rotation
- 2 **QUICK INSTALLATION**
easy installation of the product
- 3 **MAXIMUM WALL DISTANCE:**
613 mm



Trade Information

Index	Colour	Package	EAN
PWS1c-R	Black	Multi	5908252961795
PWS1s-R	Grey	Multi	5908252961948

Package Dimensions [mm] (H x W x D)	810x280x950
Weight [Kg]	10

Technical Data

100x100 mm 200x100 mm 200x200 mm 300x300 mm 400x200 mm 400x400 mm 600x400 mm	-2°/+14°	42"-52"	min. 198 mm max. 613 mm
90°/90°	80 Kg	min. 50x95 mm max. 750x460 mm	
	-8,5°/+8,5°		